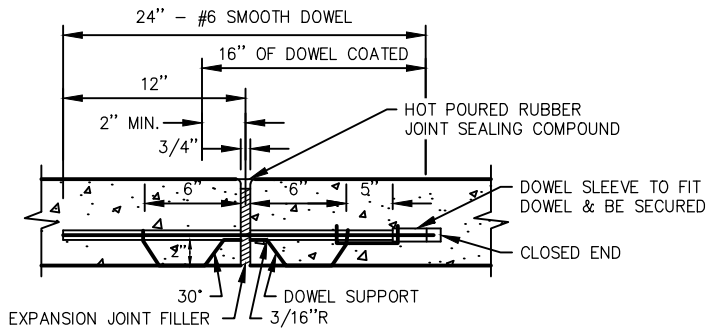
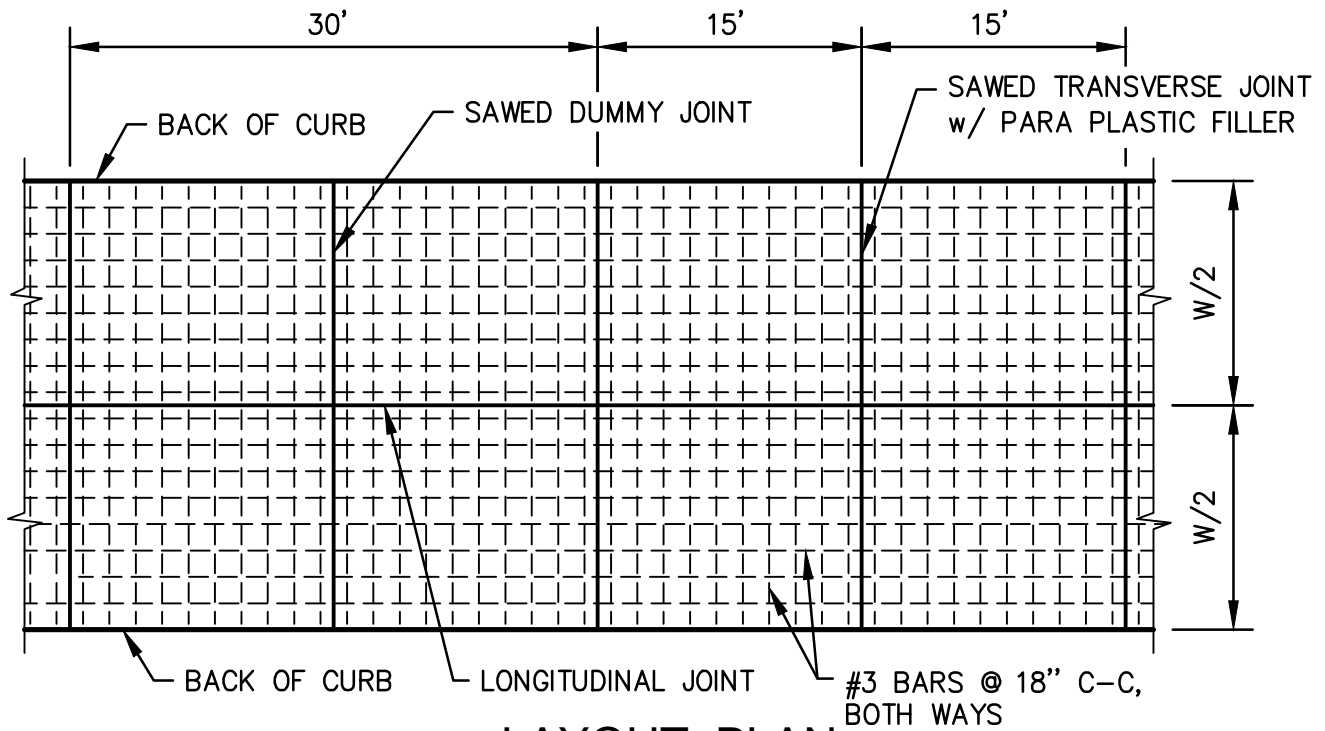


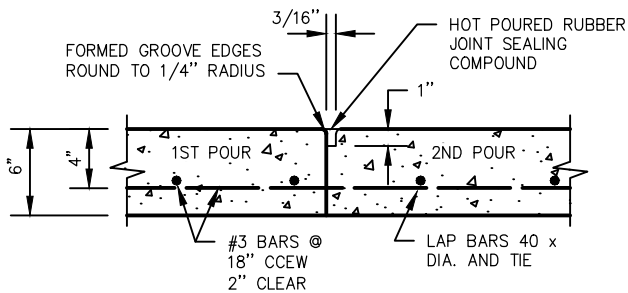
6" REINFORCED CONCRETE PAVEMENT



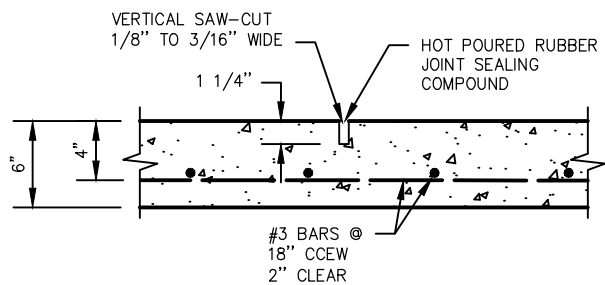
TRANSVERSE EXPANSION JOINT

NOTES:

1. CONSTRUCT DUMMY JOINTS AT 15' CENTERS.
2. EXPANSION JOINT TO BE AT INTERSECTIONS, BRIDGES & OTHER STRUCTURES. SPACING NOT TO EXCEED 600 FT.
3. JOINTS TO BE PROPERLY SEALED.
4. A MANUALLY OPERATED SCREED, EQUIPPED WITH POWER VIBRATOR MAY BE USED IN COMBINATION WITH READY-MIXED CONCRETE.
5. MONOLITHIC CURB TO BE PLACED WITH THIS TYPE OF PAVEMENT.
6. SEE CURB ON TYPICAL SECTION FOR REINFORCING.
7. PAVING FULL WIDTH SECTION SHALL BE PERMISSIBLE WHEN USING READY-MIX CONCRETE.
8. HAND FINISH IS PERMISSIBLE WHEN THE PAVING QUANTITY IS SMALL (APPROXIMATELY ONE BLOCK OR LESS)



LONGITUDINAL CONSTRUCTION JOINT



TRANSVERSE OR LONGITUDINAL SAWED DUMMY JOINT

FEBRUARY 2018

NOT TO SCALE

REVISIONS:



City of Benbrook
 911 Winscott Road
 Benbrook, Texas 76126
 817-249-3000

CONCRETE PAVING
 REINFORCEMENT
 SP-006